

Achieving Greater
Mobility and Independence



NINA Operating Instruction



Manufacturer Serial No.



HORCHER GmbH - REHA SYSTEME

Dear customer!

We like to thank you for your confidence in the Horcher GmbH LIFT System as well as your choice in buying our NINA Bathing Lift.

EC-Declaration of Conformity

Is done in compliance with Annex VII of the Council Directive 93/42/EEG of 14 June 1993 concerning medical devices

We the Horcher GmbH, Philipp-Reis-Str.3, 61130 Nidderau declare that the

Bathing Lift Nina“

Serial No:

Is in compliance with the essential Requirements of the Council Directive 93/42 EEG 14 June 1993 Annex 1.

Nidderau, 04/06/1998

Horcher GmbH
Managing Director Stefan Horcher

The „NINA “ – Bathing Lift helps you to achieve a greater mobility in your daily living activities.

Especially in private and in Senior Citizens homes as well as in hospitals.

This manual is for the following NINA - Bathing Lift's series

„NINA“ - Standard

„NINA“ – long Model with a longer chassis

Safety Instruction

Please acknowledge the following safety instructions!

The NINA Bathing Lift can only be used on a hard even and clean floor, (not on stony or uneven surface) the floor has to be clean and free of all obstacles.

A sight check is absolutely necessary and should be done before you use the NINA Bathing Lift or any other kind of Lift. If you notice any kind of defect do not use the Lift.

To clean the Lift just use a damp cloth don't use any strong detergent.

Keep the wheels clear of all dirt such as hair dust or lose thread (lint).

Only authorized personal form the Horcher GmbH are allowed to repair the Lift.

Caution has to be used when driving through tight area such as door frames.

The battery charger is not to be installed in damp areas or close to water faucets.

Do not use the Lift for long transportation's like up or down hill. Please use a wheelchair for long transports.

Before you use the NINA Bathing Lift and after each move or transportation the wheels have to be locked.

For safety reasons the patient should always be transported in a sitting position and secured with the sling.

Avoid sudden movements like pushing or shoving. This might cause accidents.

Using the Lift system other than mentioned above could result in personal injuries and will void any Warranties and Guarantees through the Horcher GmbH.

A yearly inspection through authorized personnel from the Horcher GmbH is recommended.

Index

1 Delivery	5
2 Where the „NINA“ Bathing Lift can be used	5
3 Handling the „NINA“- Bathing Lift	5
3.1 Operating the electrical level arm	
3.2 Wheels with breaks	
3.3 Adapter	
3.4 Cleaning	
4 Utilizing the bathing Lift „NINA“	7
5 Service- and grantee information	8
6 Information about the capacity of the Intelligent Battery System	9
6.1 Intelligent Battery System „ IBS“	
6.2 The battery capacity	
6.3 information about the loading station	
7 Technical data:	11
8 Accessories	14
Information	16

1. Delivery

The Bathing Lift Nina is delivered to you on a pallet as a ready to use unit. No installation is needed. Just remove the packing material and insert the battery pack by pushing it straight in the receptacle on the back of the Lift.

Included in this delivery is a Loading station and a 36 V Battery.

2. Where the Nina Bathing Lift can be utilized For lifting IN / OUT of the Bed, Chair, Wheelchair or Bathing Units

Since 1986 the Horcher GmbH has developed the "NINA" Bathing Lift. During that time we have reached a high technical standard for efficiency and reliability. Our systems have been developed extensively for individuals which are either handicapped or with limitations in their mobility.

Serving individuals, families and professionals in private homes, hospitals, rest homes and Senior Citizens resident as well as in a variety of other settings. They are most efficient transfer devices, serving both the care-giver and the caretaker.

The "NINA" Lift is especially designed to be used on flat, hard surfaces and is primarily intended for indoor use only.

This Lift is can be utilized for lifting and moving patients in and out of bed, bathtub, wheel chair and many more varieties.

3 Handling the „NINA“-Bathing Lift

The "Nina" Bathing Lift is delivered as a ready to use unit. Turning the Lift on pull out the red button on the side of the console. The big red knob is also the emergency ON / OFF button. Pushing the red button in the electric circuit is interrupted and the Lift stops immediately. Pulling the red button out starts the Lift. The black knob on the side of the console moves the patient up or down.

Control lights

Green light	Lift	ready to use
Red light	battery low	needs to be charged.

3.1. Handling the electric remote control

To change the position UP or DOWN push the

Horcher GmbH - 61130 Nidderau - Ph.-Reis Str.3 - Telephone (0618



arrow on the remote Hand control. Using the manual hand control by pushing the UP arrow the patient will be lifted up. Pushing the down arrow the patient will be lowered.

3.2 Wheels with breaks

Prior to operating the Nina Bathing Lift you should always make sure that the rear wheels are locked when lifting or lowering patients. To lock the wheels push down the lever on the hind wheels,

3.3 Where the adapter comes in handy (not included)

With the help of the adapter the lift can be adjusted for different bathtub width. This enables you to use the lift on almost every bathtub. The standard width is 60mm, should you have a bathtub on which the edge is wider, we can manufacture the special size you require.

3.4 Cleaning

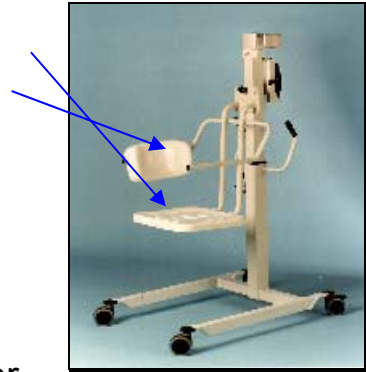
Don't use any strong detergent when cleaning the NINA Bathing Lift it is sufficient to use a wet cloth to clean the Lift.

**** Always keep the wheels free of dust lint and hair. ****

Cleaning of the removable hygiene opening on the Nina Bathing Lift do not use water over 60°. **Do not** use the autoclave sterilizing unit. Just clean with regular detergent and antiseptic.

4 Utilizing the Bathing Lift „NINA“

The NINA Bathing Lift is a bathing seat. The seat is equipped with a removable hygiene opening. The back support is also removable and can be reversed from left to right or vice versa.



Lifting the patient from a sitting position:

Move the Lift parallel next to the seat, wheelchair or bed. The arm rest can be lifted up on the side, so the patient can move easily on to the seat. Since the height of the seat is adjustable the patient can easily be lifted.

Lifting the patient from lying position:

Move the bathing Lift close to the bed so the base is under the bed now lift the arm rests on both sides bring the patient in a sideways position move the seat over the mattress pushing down on the level to lower the lift the seat will fit snugly over the mattress. Slide the patient on the seat making sure the patient is seated correctly on the seat tighten the safety sling patient is ready to be moved.

The patient should have enough muscle power be able to hold himself up.

Great caution must be taken when lifting the patient. For patients greater security explain the lifting procedures and make sure the patient can see what is about to happen and understands that the lifting is in process.

This Lift should only responsible adult person should utilize this Lift and only for the purpose of lifting patients.

SERVICE AND WARRANTY INFORMATION

All mechanical and electrical components of the Horcher GmbH "Bathing Lift NINA", have a limited two year warranty from the date of the original

purchase and delivery, providing such defect is the result of poor craftsmanship or inherent defect in component material and not the result of improper use or handling.

Please send the warranty card with the serial number of your Lift and date of purchase back to the Horcher GmbH, Philipp-Reis-Str. 3, 61130 Nidderrau 1

This will make it easier should a problem arise with your Lift during the warranty period. Thank you!! Horcher GmbH, Philipp-Reis-Str. 3, 61130 Nidderrau 1

6. What is IBS

The New Intelligent Battery System

Your Lift has been equipped with this new battery system. The battery is charged before delivery.

We the Horcher GmbH have developed this new IBS Battery System for rechargeable batteries. It consists of an integrated regulated memory chip this safes the battery from being handled the wrong way.

Turns automatically to sleep modus after three minutes.

Reminds the user when battery is low through an interval tune.

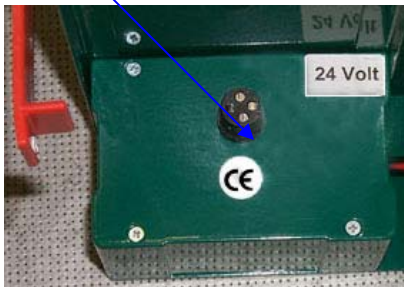
If the user disregards this message then a continuance tune will remind him that the battery is low and need's to be recharged.

Battery shuts off automatically when voltage is low, so no damage occurs to the battery. When not in use, the IBS battery shuts of automatically after three minutes, safe's energy.

6.2 The battery capacity

This battery has a capacity of 2,7 Ah. When the lifting is in process the battery uses approximately 3.6 A.

The approximate lifting capacity of this battery is about 0.75 hours by lifting 160 kg /lbs. You can use this battery about 90 times at a lifting time of 0,5 minutes with a weight of 160 kg/lbs. If the patients weighs less then the battery has a longer using time.



6.3 Battery charger

Plug battery into charging station, make sure the charging station is plugged into the wall outlet. Charger light will glow brightly green while being charged. Your battery is totally charged when the control light goes out.

The wall mounted battery charger should only be installed in try areas and close to an electrical outlet. Make sure the battery charger is not installed close to a water faucet or in a damp area.

7 Technical Data:

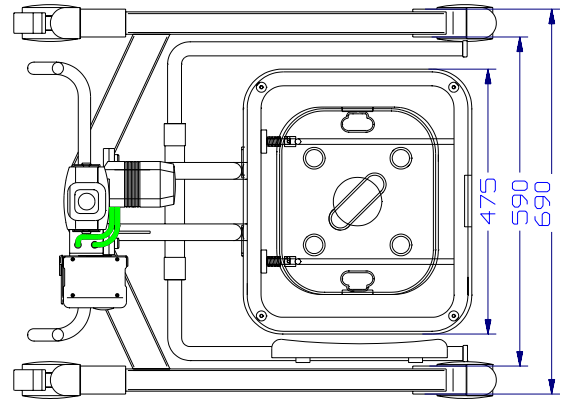
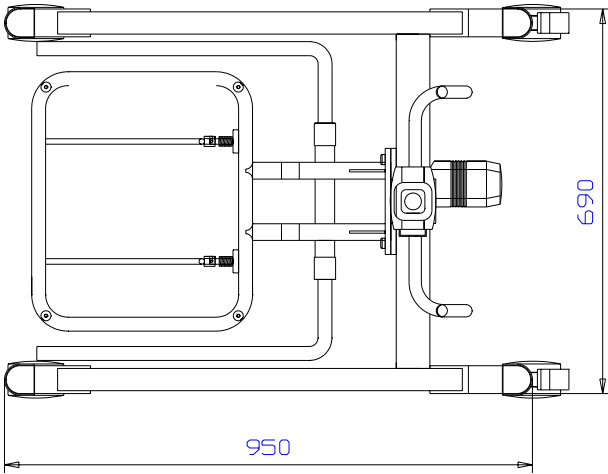
Data	NINA Standard	NINA long
Chassis length:	885 mm	950 mm
Chassis width:	690 mm	690 mm
Total height	2050 mm	2050 mm
Floor clearance:	73 mm	73 mm
Capacity of the lifting level:	700 mm	700 mm
Turning radius:	515 mm	575 mm
Electrical supply	36 V	36V
Battery capacity:	36 V/ 2 Ah	36 V/ 2 Ah
Loading station:	Mentzer Series 100 Type IP20 T 35/E 220 V/ 36 V/0,4 A	Mentzer Series 100 Type IP20 T 35/E 220 V/ 36 V/0,4 A
Fuse type for loading station:	T 0,63 A in Loading station Type IP 20 T 35/E, Type G 136-0,4 , Mentzer	T 0,63 A in Loading station Type IP 20 T 35/E, Type G 136-0,4 , Mentzer
Current for loading station	5 A	5 A
Weight	50 kg	50 kg
Max. Patient weight	150 kg	150 kg

Technical Data are subject to change

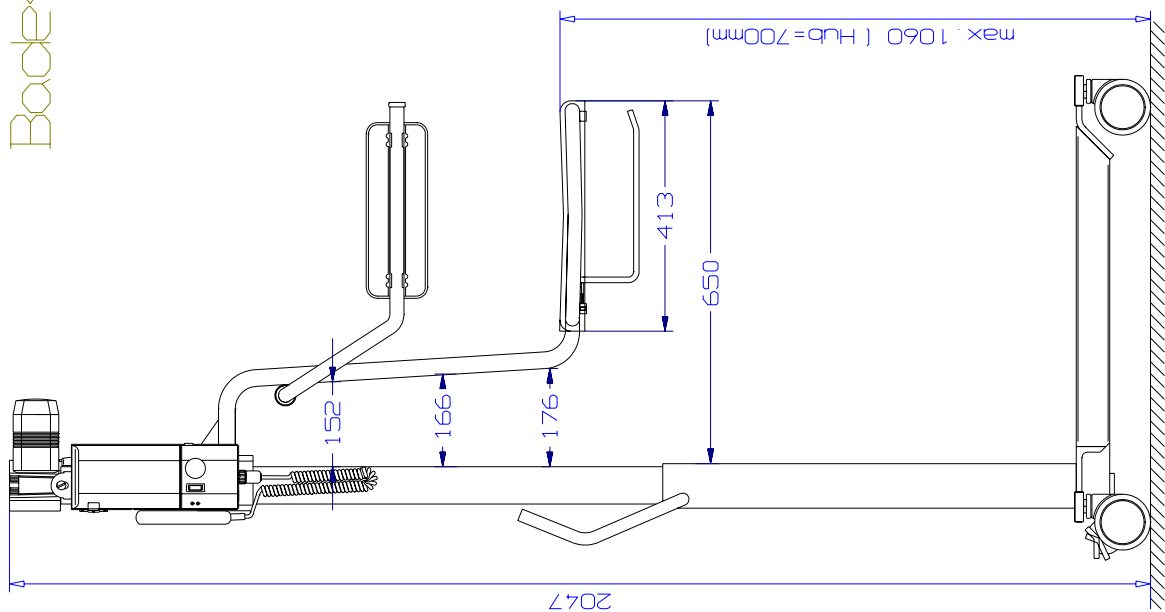
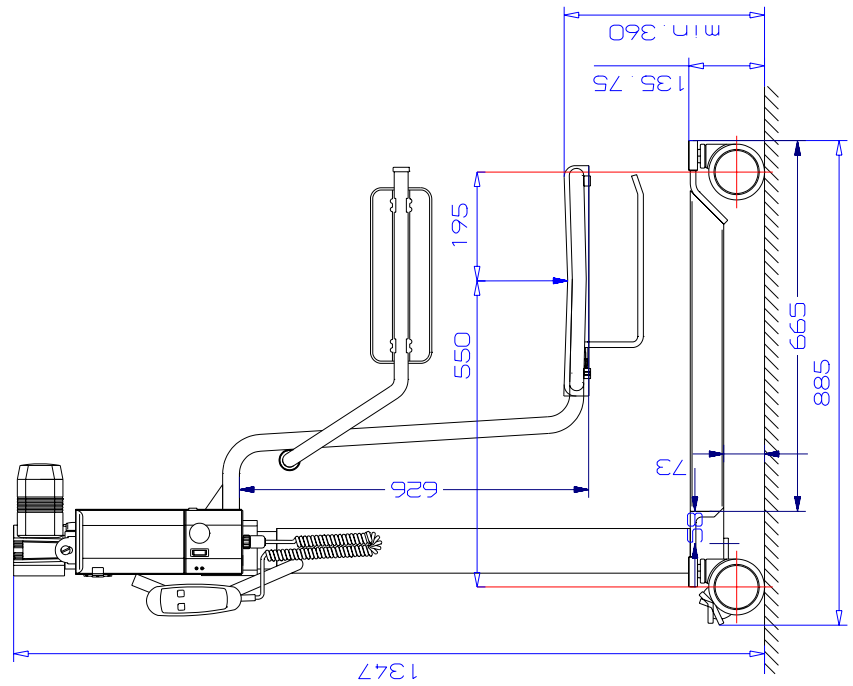
The following drawings are for

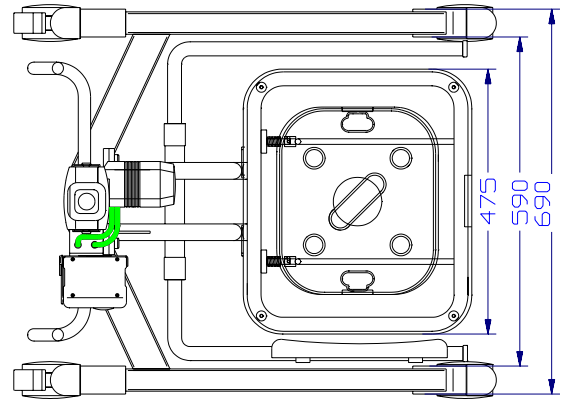
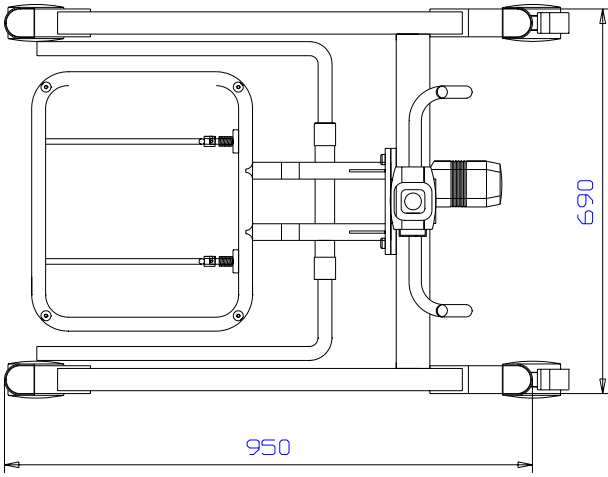
1) NINA Standard

2) NINA Long

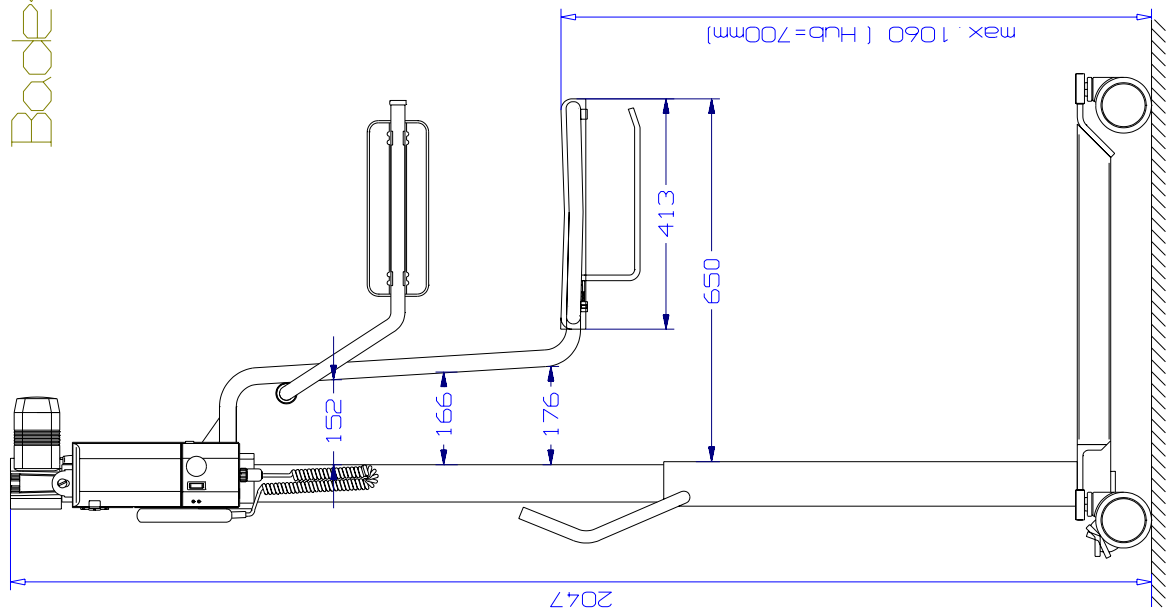
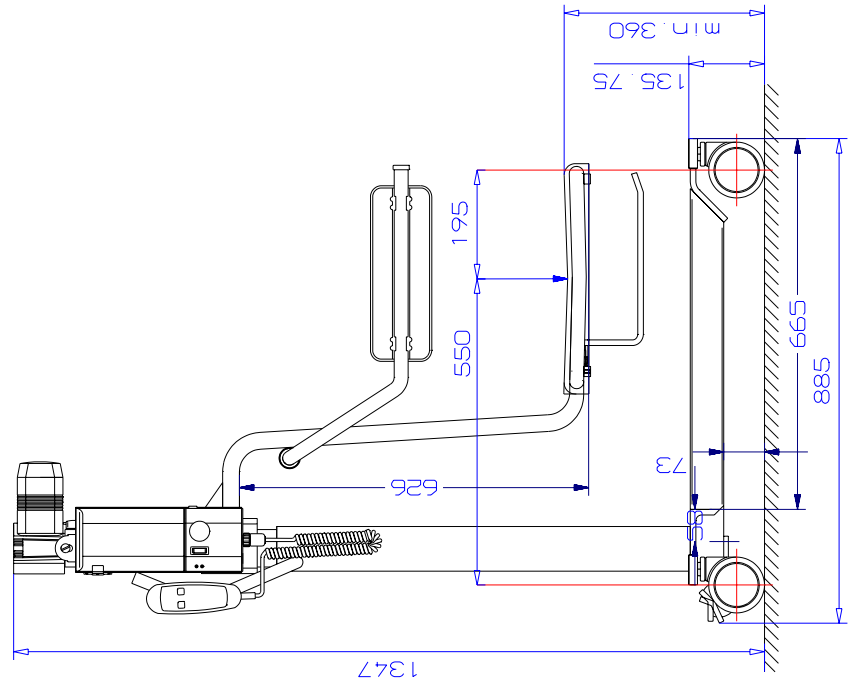


Badesitz NINA





Badesitz NINA



8 Accessories Scale

Direction for use of the personnel scale Model Number 1185 (Bathing Lift)

1. Push the Zero button to set system to zero. The digit 0 will pan across the display for a few seconds then the display will read "0.0."
2. On the left side of the display you will see the weight unit in either Kg stands for Kilogram and lbs. which stands for American pounds.
3. To change form Kg/lbs. push the Kg/ lbs. button and it will change. The scale will memorize the change.
4. Carefully lift the patient and make sure he is free of obstacles, press the Operate button once again.
5. Read the weight on the display of the scale and check that you have the correct setting either for Kg or Lbs.
6. The scale Model 1185 shuts off automatically after 60 Seconds.
To activate the scale again, just push the Operate button again.

For the following weighing just repeat point four,
Point 3 only if you want to change from Kg to lbs. or vice versa.

System specification:

Measuring in Kg or lbs. changeable.

Weight Range 180,0 kg or 400 lbs. Please regard
the authorized leverage for the Lift.

Accuracy 0,1 %

Calibrated accuracy 0.1 %

Power supply 9 Volt Battery

Battery capacity approximately 3000 times

Display Liquid crystal display

Exchange battery

When battery replacement is needed an indicator will appear on the display. Simply remove the two screws on the case to access the battery.

Caution: Do not apply pressure to the display.

Caution: When inserting battery watch for the polarity.

To set scale again start at point one again.

Equipment data

Inventory-No. _____

Equipment _____

Type of Equipment _____

Factory-No. _____

Manufacturer/ Importer _____

Supplier _____

Year of purchase _____

A **Inventory-No.** _____

Functional Testing

on: _____
 through: _____

Instruction

Responsible _____

<input type="checkbox"/> Date	Manufacturer/ <input type="checkbox"/> Supplier	Name of the person responsible for Instructions	Signature

C**Inventory-No.** _____**Technical Safety Control**

Date	Preformed through Person / Firm	Solution	Observation <input type="checkbox"/>

D **Inventory-No.** _____

Maintenance Service
(Maintenance / Inspection / Repaires)

Date	Preformed through Person / Firm	Short description of Maintenance <input type="checkbox"/>

E **Inventory-No.** _____

Functional disturbances or repeated operating mistakes

Date	Description of problems

F **Inventory-No.** _____

Essential Addresses:

A) Inform the person responsible in case of problems

Name:

Telephone:

Technical Service:

Name:

Telephone:

Emergency No.:

Name: Horcher GmbH

Telephone: 06187/92040

B) Operating Manual to be found:

C) Accidents with personal injury

Notify:

Telephone:

Notify: Horcher GmbH

Telephone: 06187/92040

Inventory List

Type of LIFT:	
Serial No:	
Year of purchase:	
Manufacturer:	Horcher GmbH
Factory Id No:	
Side of location	
Yearly technical safety controls: (see label on the product)	